



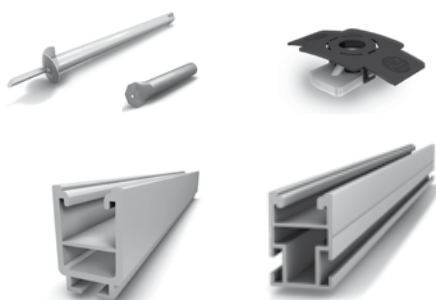
**krannich**  
Solar

#### Your benefits

- \* K2 Rack for screwin foundations
- \* Kit for 20 modules, modularly extensible
- \* Easy mounting thanks to matching components included in the kit system
- \* Very attractive price-performance ratio
- \* Very low logistical effort
- \* All system components in a box



# A-RACK BOX SYSTEM



Technical Data	
<b>Field of application</b>	Open land (5-500 kWp)
<b>Soil characteristics</b>	Easy to difficult soil types
<b>Wind speed</b>	Max. 38 m/s
<b>Snow load</b>	Max. 0,76 kN / m <sup>2</sup>
<b>Ground level</b>	Up to 400 m
<b>Module inclination</b>	25°
<b>PV modules</b>	Suitable for all current module types
<b>Module orientation</b>	Vertical
<b>Module configuration</b>	2 rows of 10 modules (60-cell modules, ca. 1650x 995mm)
<b>Material</b>	Aluminium (EN AW-6063 T66), galvanised steel
<b>Connecting elements</b>	Screws stainless steel A2-70
<b>Basic static</b>	JIS C 8955:2011
<b>Load acceptance</b>	DIN 1055 / Eurocode 1
<b>Span width / Rack-spacing</b>	2,15 m
<b>System components</b>	K2 Screwin foundation, K2 CrossRail and K2 Solid-Rail, K2 Mid and End clamp sets, Cable clamp